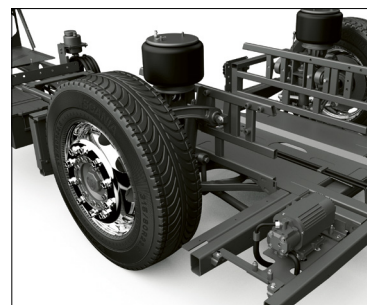
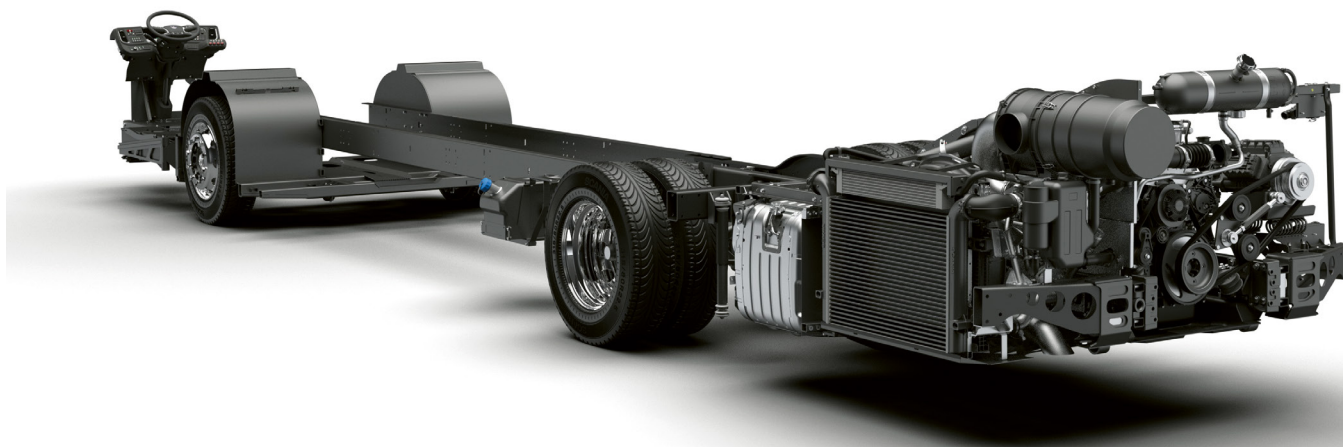


LOW ENTRY

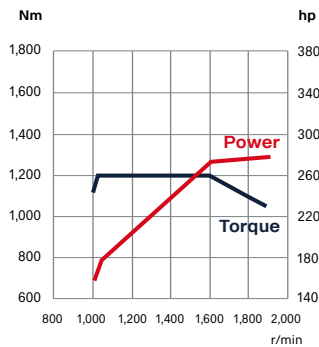
SCANIA K-CHASSIS

FOR URBAN TRANSPORT OPERATIONS

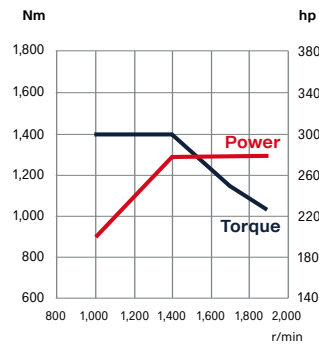
Based on more than a century of engineering experience, the new generation of Scania buses has been developed to meet the demands of today's and tomorrow's cities. Energy efficient, available in a wide range of powertrains and offering the latest technology in everything from safety systems to reduced emissions and noise levels. Through excellent uptime, fuel efficiency and possibility of high passenger capacity, the new Scania buses allows sustainable mobility to go hand-in-hand with operating economy.



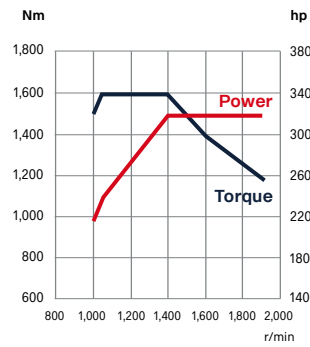
7-litre, 280 hp
Biodiesel, HVO, diesel



9-litre, 280 hp
HVO, diesel



9-litre, 320 hp
Biodiesel, HVO, diesel



Powertrain - Combustion, Euro 6

Biodiesel, HVO, diesel:

7-litre 280 hp (206 kW), torque 1200 Nm
9-litre 320 hp (235 kW), torque 1600 Nm

HVO, diesel:

9-litre 280 hp (206 kW), torque 1400 Nm

Gearbox:

ZF Ecolife 2 6-speed fully automatic gearbox

Axle and suspension

Configurations:

2-axle

Front axle:

Independent wheel suspension
Max. load capacity 8.2 tonnes

Rear axle:

Rigid axle, driven
Max. load capacity 13 tonnes

Full air suspension with electronic level control system (ELC)
Total raising or lowering of chassis height in the front or the whole side

Wheel

Tyre size (front): 275/70, 275/80, 295/80, 315/60, 315/70
Tyre size (rear): 275/70, 275/80, 295/80, 315/60, 315/70
Aluminum or steel rims

Electrical system

230 Ah or dual battery system, 24 V
Alternator 2x180 A

Brakes

Disc brakes, electronic brake system (EBS), anti-lock brake system (ABS), traction control (TC), bus stop brake, hill-hold, pad wear indicator, pipes manufactured from either rust protected steel or high impact synthetics, separate air tanks for each circuit, exhaust brake with automatic control

Support system

Scania Driver Support, electro-pneumatic parking brake, vulnerable road user collision warning, blind spot warning